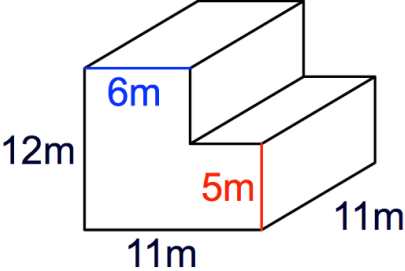
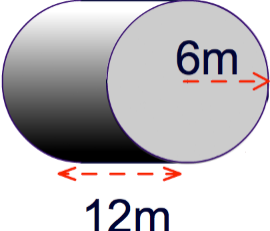
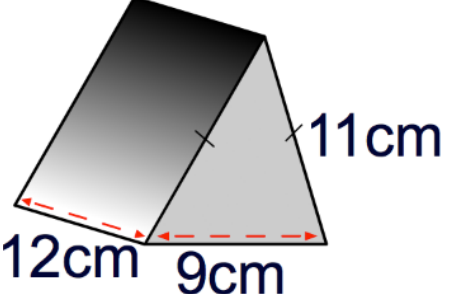
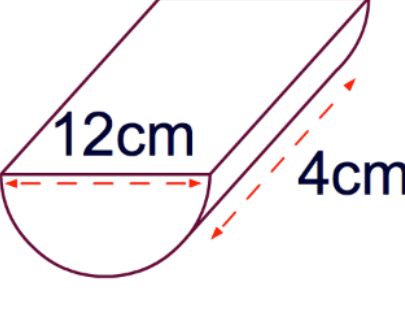
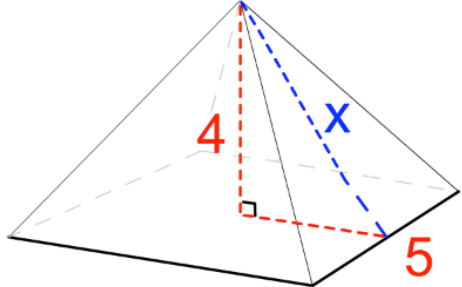
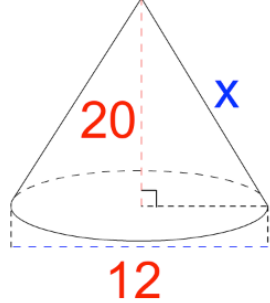
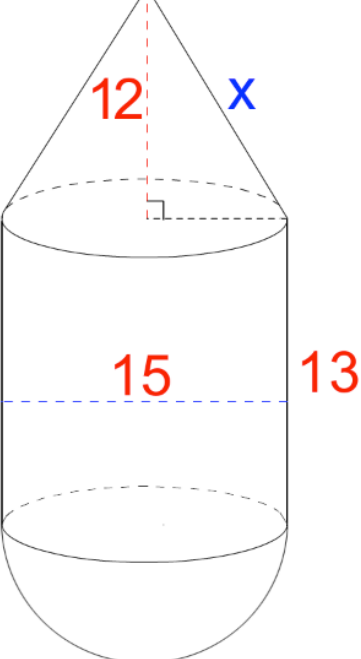


Maths HL13 Volume and Surface Area

Calculate the Volume and surface area of the following shapes

1	 <p>A stepped rectangular prism. The front-left vertical edge is 12m. The bottom-left horizontal edge is 11m. The bottom-right horizontal edge is 11m. The top-left horizontal edge is 6m. The vertical edge of the smaller step on the right is 5m.</p>
2	 <p>A cylinder with a radius of 6m and a length of 12m.</p>
3	 <p>A triangular prism. The base of the triangular face is 12cm. The height of the triangular face is 9cm. The slant edge of the triangular face is 11cm.</p>
4	 <p>A semi-cylindrical prism. The radius of the semi-circular end is 6cm. The length of the prism is 4cm.</p>

5	 <p>A square pyramid. The base side length is 5. The height is 4. The slant edge length is x.</p>
6	 <p>A cone. The radius of the base is 12. The height is 20. The slant edge length is x.</p>
7	 <p>A composite shape consisting of a cone on top of a cylinder, with a hemispherical base. The cone has a height of 12 and a slant edge length of x. The cylinder has a radius of 15 and a height of 13.</p>